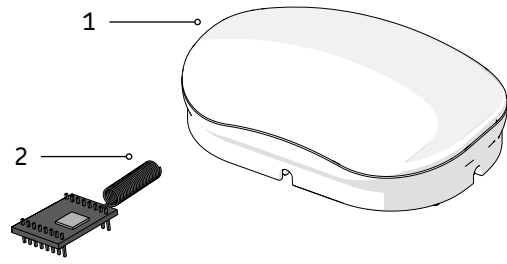


## Contents

Name	Quantity
1. Pump Interface Module	1
2. Wireless Pump PCB	1



## Description

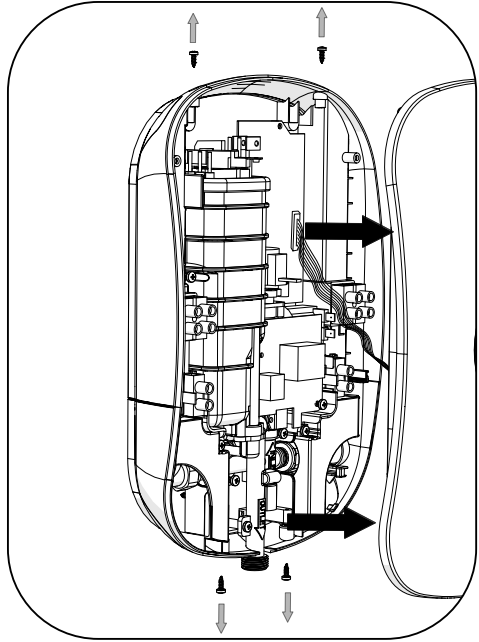
The wireless pump interface connects the AKW Shower range to AKW's Digipump range without the need for wires. Once the wireless interface is paired with the shower it will remain so even if both the shower and pump are isolated from the mains supply. The interface continually checks the link between the pump and the shower and if there is a disconnection the shower will automatically stop the water flow.

[www.akw-ltd.co.uk](http://www.akw-ltd.co.uk)



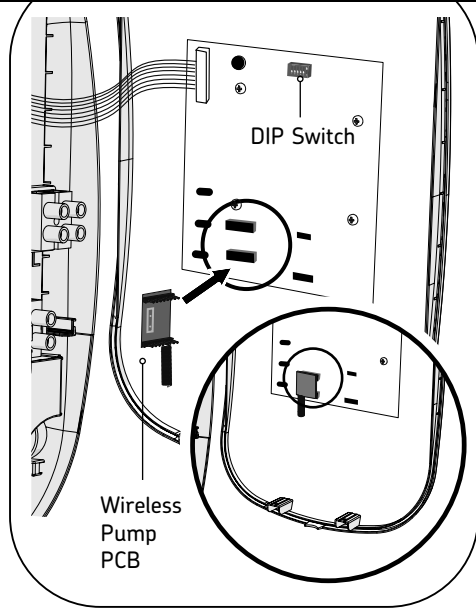
Connect with us by using your smart phone

### 1. Fitting PCB to Shower



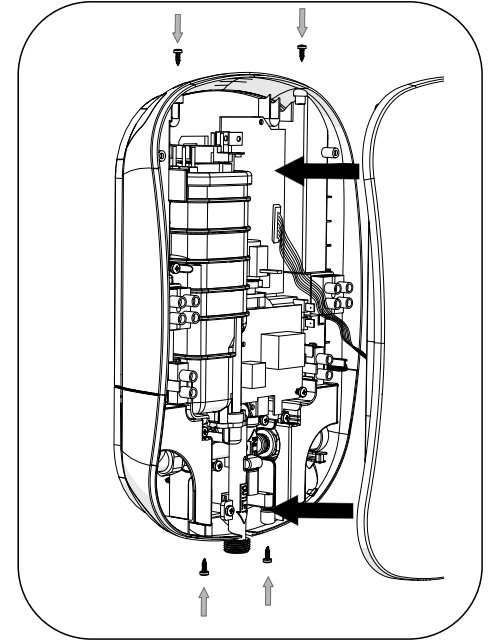
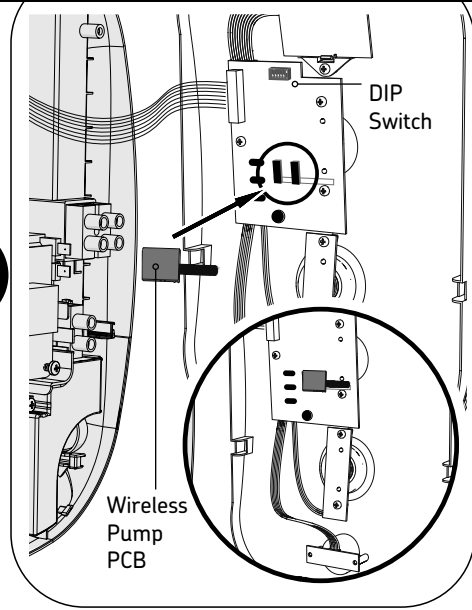
Isolate electrical supply to shower and carefully remove front cover.

AKW SmartCarePlus/SmartCare Lever-Inside Front Cover



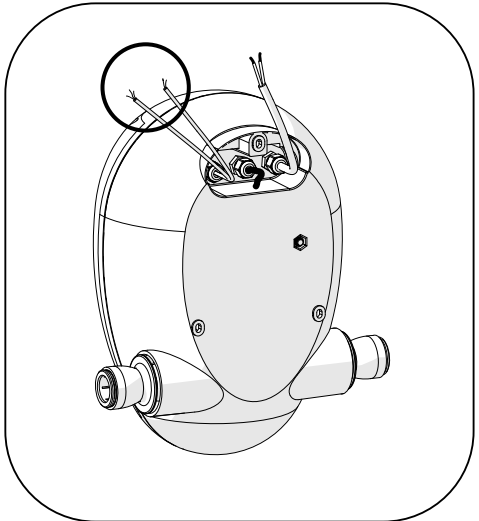
Plug the Wireless pump PCB into the shower PCB located in the inside cover. For AKW SmartCarePlus & SmartCare Lever models - Set the Dip Switch settings to **'WIRELESS PUMP'**. For ITherm- Set Dip Switch to **'WIRELESS PUMP'** and **'B/T ON'** (Refer to the shower instructions for further Dip switch info).

iTherm-Inside Front Cover

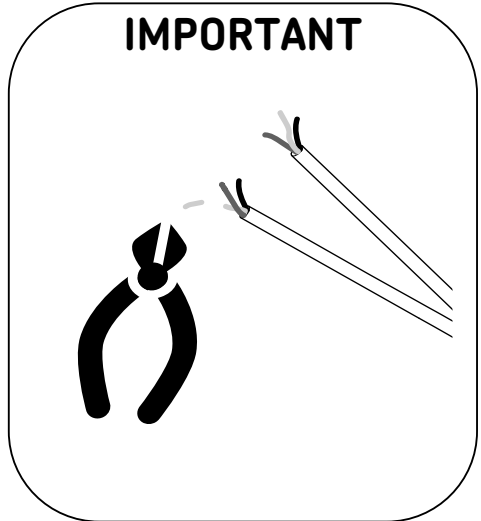


Carefully replace the front cover, ensuring no cables are trapped, ribbon cable is seated and screws are in place.

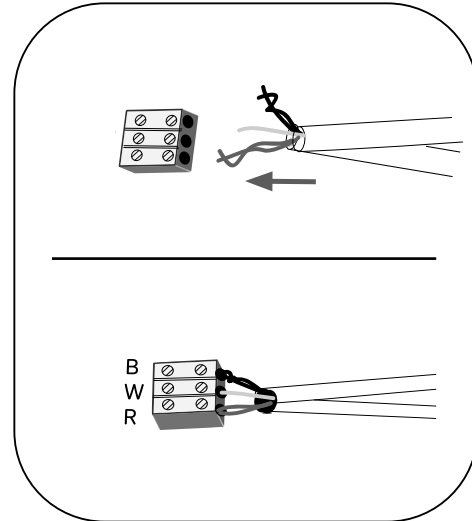
### 2. Connect Module to Pump



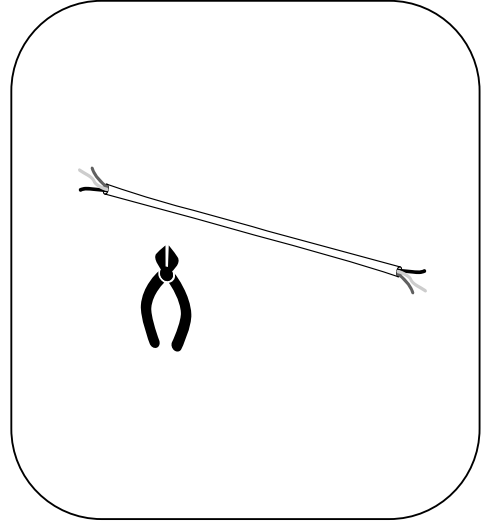
Isolate the electrical supply to the pump. Cut both sensor cables to a length of 150mm. Remove outer sheath from both cables to a length of 35mm.



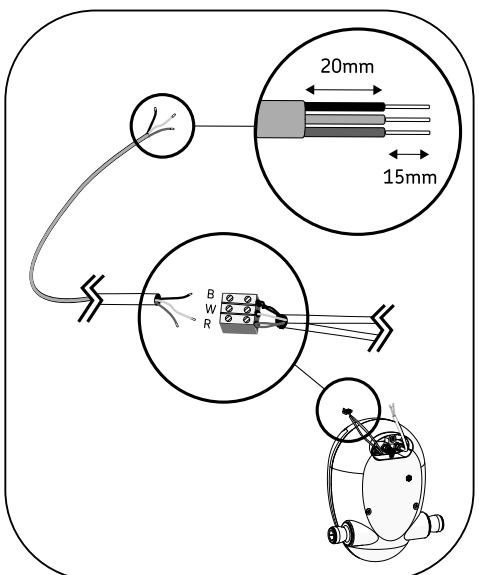
Cut and remove 1 x WHITE wire. Remove the insulation from wires 2 x RED, 2 x BLACK and 1 x WHITE to a length of 15mm.



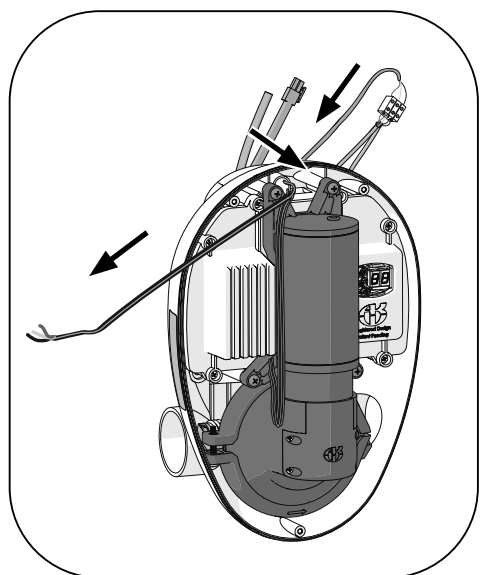
Twist the BLACK wires together and twist the RED wires together. Insert and secure the wires into the connector block supplied. Remember- secure **only one** WHITE wire.



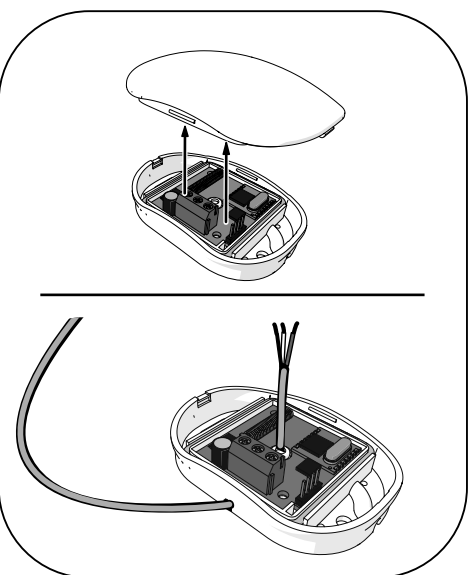
From the cable off-cuts either use a 200mm length for internal mounting or longer as required to locate the module externally within 5 metres of the shower unit.



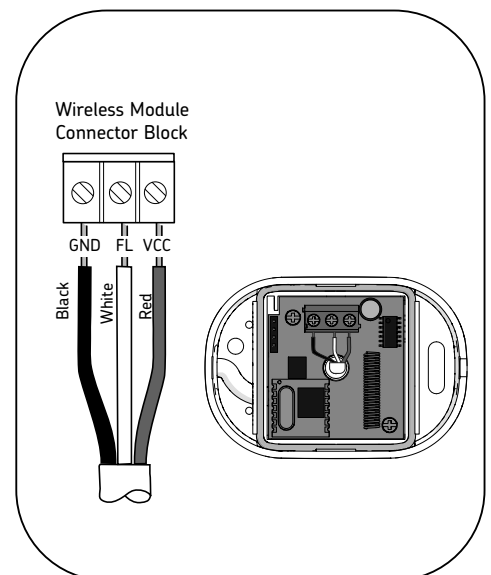
Remove the outer sheaths from both ends. Connect one end of the cable to the terminal block.



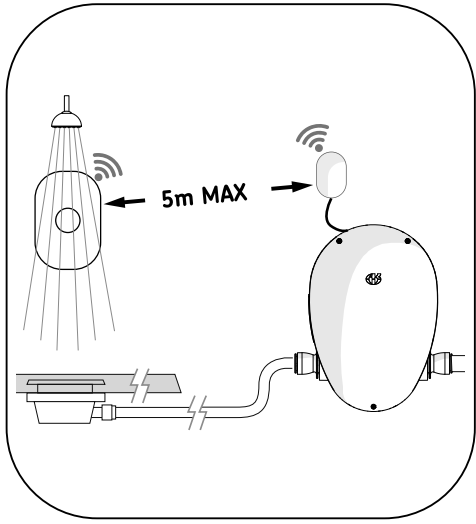
For internal positioning, the pump must be within 5 metres of the shower. Feed the cable through the back of the pump casing before connecting to the wireless module.



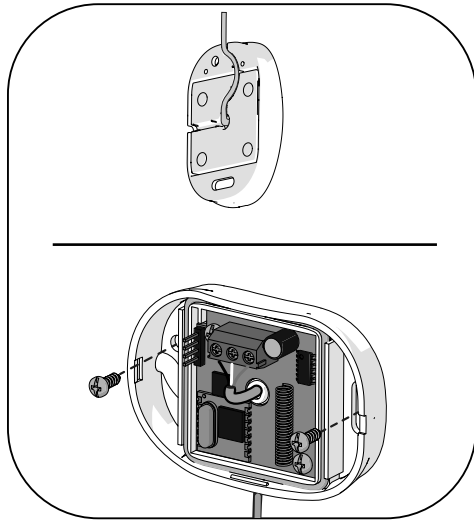
Remove the wireless module cover and feed the cable into the module.



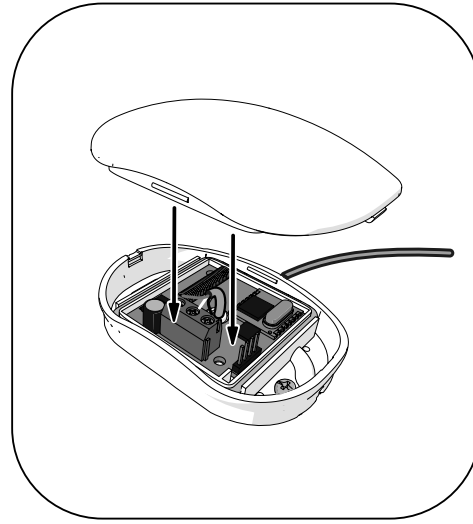
Connect the end of the cable into the module terminal block- B-GND, W-FL, R-VCC.



Ensure the connector block is positioned inside the rear recess of the pump. Ensure the module is positioned within 5 metres of the shower for optimal connection.

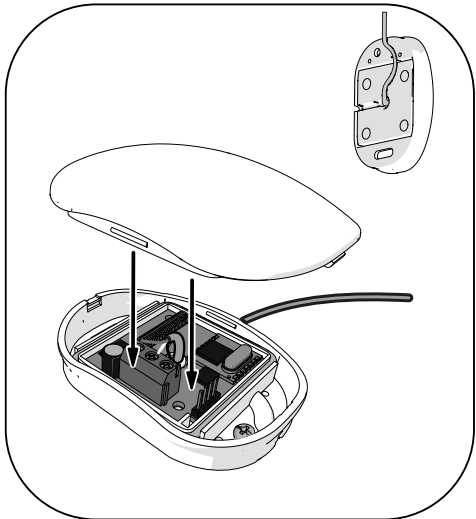


Route the cable in the guide as shown and secure into final position with either double-side tape or screws.

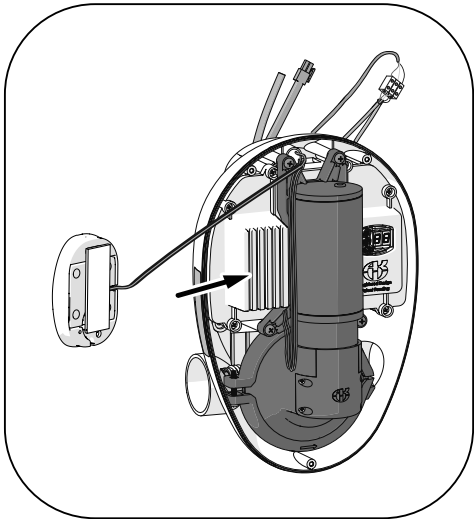


Refit the cover.

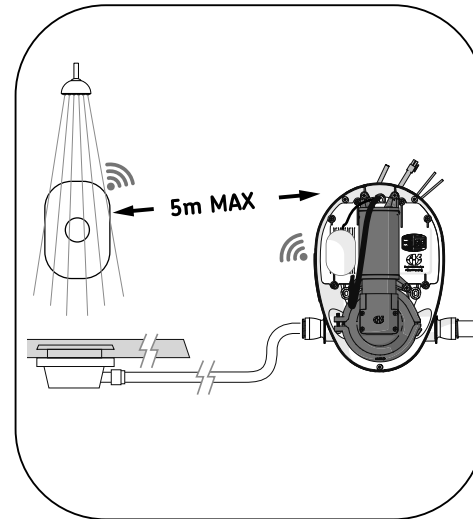
Internal - Inside the Pump Case



Route the cable in the guide and refit the cover.



Ensure no cables are trapped and position the pump interface module on the left hand side of the pump in the vertical position using double-sided tape.



Ensure that the pump is positioned to within 5 metres of the shower unit.

3. Pairing Shower and Pump

See shower installation instructions.

1. Isolate electrical supply to shower and if necessary wait until display LEDs are extinguished
  2. Isolate electrical supply to pump and if necessary wait until display LEDs are extinguished
  3. Reconnect electrical supply to shower
  4. Press and hold the shower on/off power button for 5 seconds and release (LED ring now flashing).
  5. Within 2 minutes, reconnect electrical supply to pump and wait 15 seconds. The pump will automatically connect to the shower
  6. Press and release the on/off power button on the shower
- If the pump does not start with the shower, repeat steps 1-6.

## User Troubleshooting

	Possible Cause	Remedy
No LEDs lit on pump display	No power to pump	Check pump power supply is connected and switched on
Pump does not start with shower	Pump is not paired to shower	See Shower instruction- Pairing
	Wireless or electrical interference	Isolate source of interference
	Pump fault	Check pump - see pump manual
Shower stops in use and shows intermittent flashing display	Pump not switched on or supply has failed	Check pump power supply is connected and switched on
	Wireless or electrical interference	Isolate source of interference

If the pump does not work as expected, switch off at the pull-cord or isolating switch and wait 30 seconds for the pump to reset, then switch back on again.

If this does not resolve the problem contact your local installer, if they cannot resolve the problem, they should contact AKW Technical Enquiries for assistance.

Orderline  
01905 823299

General Enquiries  
01905 823298

Technical Enquiries  
01905 560219  
technicalenquiries@akw-ltd.co.uk

Fax  
01905 823297

Website  
www.akw-ltd.co.uk

Quotes & Orders Email  
orders@akw-ltd.co.uk

Enquiries Email  
sales@akw-ltd.co.uk

AKW, Pointon Way,  
Hampton Lovett,  
Droitwich Spa,  
WR9 0LR

